

**DIMENSIONS— INCHES & [mm]**

MODEL NUMBER	CAPACITY LB	MOUNT THD	WEIGHT LB [KG]	CABLE LENGTH FT [M]
HI STS-25LB	25 LB	1/4-28 UNF-2B	4 LB [1.8KG]	20FT [6M]
HI STS-50LB	50 LB			
HI STS-75LB	75 LB			
HI STS-100LB	100 LB			
HI STS-150LB	150 LB			
HI STS-200LB	200 LB			

TOLERANCES: ±0.01 [0.3] UNLESS OTHERWISE STATED

9. SEE SHEET 2 FOR FULL SCALE 2 DIMENSIONAL DROP-IN CAD FILE VIEWS.
8. LOAD CELL OPERATING TEMPERATURE RATING IS -18°C TO +65°C. USAGE OF LOAD CELL AT TEMPERATURES BELOW -18°C REQUIRES THAT THE LOAD CELL AND CABLE BE TEMPERATURE CONTROLLED.
7. LOAD CELL IS NICKEL PLATED ALLOY STEEL.
6. CABLE IS SHIELDED 4 CONDUCTOR WITH 22AWG WIRES. CABLE SHIELD IS FLOATING. SEE TABLE FOR CABLE LENGTHS.
5. LOAD CELL COLOR CODE:
 

EXCITATION +	RED
EXCITATION -	BLACK
SIGNAL +	GREEN
SIGNAL -	WHITE

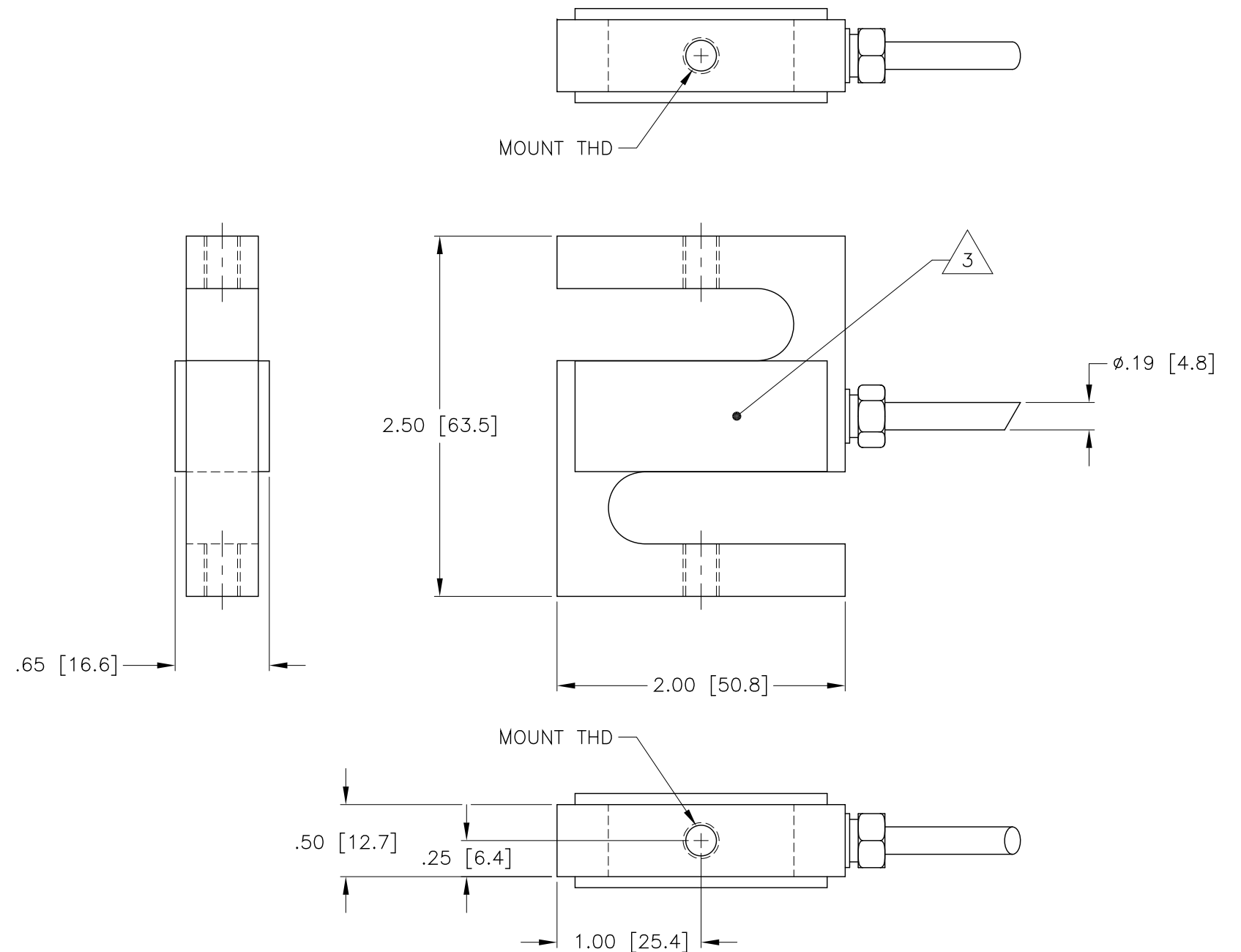
4. CABLE WIRE ENDS ARE STRIPPED BACK AND TINNED.

 LOCATION OF MODEL/SERIAL NUMBER LABEL.

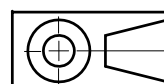
2. THIS DRAWING IS SUBJECT TO CHANGE WITHOUT NOTICE.

1. RATED OUTPUT: 3mV/V +25%/-10%.

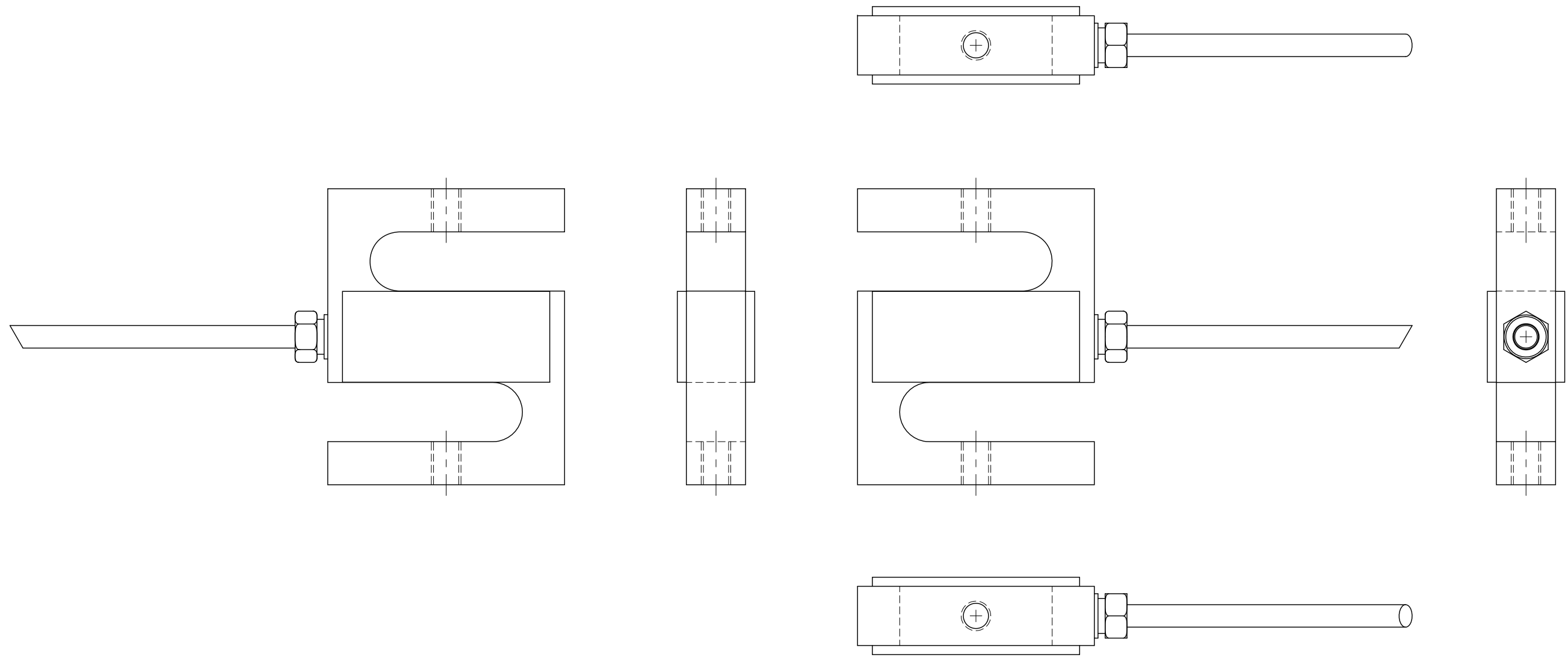
REV.	ECO/DDC	DESCRIPTION	DATE	DRAFT	CHECK	APV'D
A	----	RELEASED.	10-09-14	V.J.C.	N.H.S.	E.J.



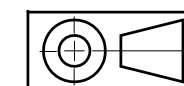
ITEM	QTY	0588-0163	OUTLINE DRAWING, LOAD CELL, HI STS SERIES	COMMENTS
PARTS LIST				
UNLESS OTHERWISE SPECIFIED DIMENSIONS ARE IN INCHES [MM]		CONTRACT NO.		
TOLERANCES ARE: DECIMALS: .XX = ±.01 [.25] .XXX = N/A ANGLES: ±0°, 30'		APPROVALS		
MATERIAL		DRAWN V. CHULA	DATE 10-08-14	<b>HARDY</b> PROCESS SOLUTIONS
FINISH		CHECKED N. SCHERRER	DATE 10-09-14	
DO NOT SCALE DRAWING		APPROVED E. JAMES	DATE 10-09-14	
		ISSUED V. CHULA	DATE 10-09-14	
		PRODUCTION	DATE	
		SIZE D	FSCM 21316	DRAWING NO. 0588-0163
		REV. A		
		FILE NAME: 588163A1.DWG	SCALE: NONE	SHEET 1 OF 2



**NOTES: UNLESS OTHERWISE SPECIFIED**  
PROPRIETARY NOTICE  
 ALL DATA AND INFORMATION CONTAINED IN OR DISCLOSED BY THIS DOCUMENT IS CONFIDENTIAL AND PROPRIETARY INFORMATION OF HARDY PROCESS SOLUTIONS INC. AND ALL RIGHTS THEREIN ARE EXPRESSLY RESERVED. BY ACCEPTING THIS MATERIAL THE RECIPIENT AGREES THAT THIS MATERIAL AND THE INFORMATION CONTAINED THEREIN IS HELD IN CONFIDENCE AND IN TRUST AND SHALL NOT BE USED, COPIED, REPRODUCED IN WHOLE OR IN PART, NOR ITS CONTENTS REVEALED IN ANY MANNER TO OTHERS, EXCEPT TO MEET THE SPECIFIC PURPOSE FOR WHICH IT WAS DELIVERED.



DROP-IN CAD FILE VIEWS



<b>HARDY</b> PROCESS SOLUTIONS			
TITLE OUTLINE DRAWING, LOAD CELL, HI STS SERIES			
SIZE	FSCM	DRAWING NO.	REV.
D	21316	0588-0163	A
FILE NAME: 588163A1.DWG		SCALE: NONE	SHEET 2 OF 2